



Pump Model - version

DIVERTRON 1200 M - N.1.- -

Attention: check the correspondence with the serial number of the pump.

Company Name
Reference
Phone
Fax
E-mail

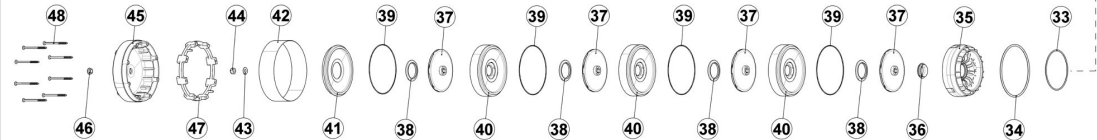
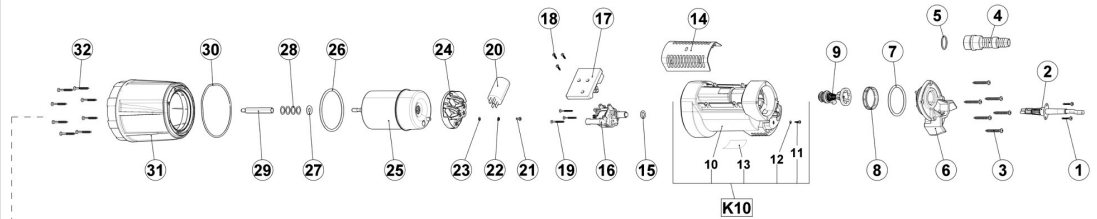
Receiver

From

DIVERTRON 1200 M - N.1.- - @ 60122626_a

DIVERTRON 1200 M @ 60122626

Item	Q.ty	Item no.	Description	Unit pr.
K10	1	60144672	COVER	On req.
1	2	P1100034	SCREW TC+ PH D4,7x25 INOX A2	On req.
2	1	S3600422	POWER CABLE 15MH07	On req.
3	6	P1100024	SCREW TC+ Ph d5,6x45 INOX A2	On req.
4	1	S3500044	S3500044 - HOSE ADAPTOR	On req.
5	1	P1200002	OR 3112 28,25 X 2,62 EPDM 70	On req.
6	1	S3501422	SP. PART COVER	On req.
7	1	P1200168	SP. PART RING	On req.
8	1	P1591089	SAND FILTER	On req.
9	1	60142247	(DISCONTINUED) VALVE ASS.Y DIVERTRONIC	On req.
14	1	S3501423	PLUG	On req.
15	1	P1200039	SP. PART JOINT O.RING	On req.
16	1	60111668	PRESSURE SWITCH 2.2-2.6 BAR	On req.
17	1	S3380126	&ELECTRONICS CARD (60145439)	On req.
18	3	P1100045	SCREW 3,5X16	On req.
19	3	P1100091	SCREW TC+ PH 3,5 X 35 INOX A2	On req.
20	1	P1360003	CAPACITOR UF12,5 V450	On req.
21	1	002437013	SCREW M4 X10 UNI 8112 ZNT C15	On req.
22	1	P1120003	ELASTIC WASHER TOOTH. d4 FOSF. DIN 6798A	On req.
23	1	P1120051	WASHER	On req.
24	1	S3501323	SP. PART DISC PORTA CAPACITOR	On req.
25	1	G4304001	SP. PART MOTOR	On req.
26	1	P1200007	SP. PART JOINT O.RING	On req.
27	1	P1120012	SP. PART WASHER	On req.
28	4	P1120048	SP. PART WASHER	On req.
29	1	S3100019	SP. PART HEXAGONAL SHAFT	On req.
30	1	P1200012	SP. PART JOINT O.RING	On req.
31	1	S3500736	BODY PUMP	On req.





Pump Model - version

DIVERTRON 1200 M - N.1. - -

Attention: check the correspondence with the serial number of the pump.

Company Name
Reference
Phone
Fax
E-mail

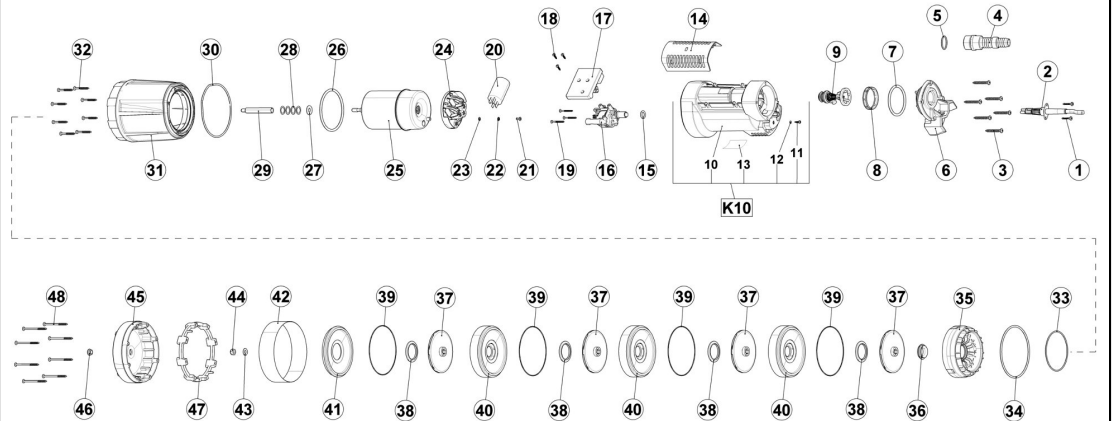
Receiver

From

DIVERTRON 1200 M - N.1.- - @ 60122626_a

DIVERTRON 1200 M @ 60122626

Item	Q.ty	Item no.	Description	Unit pr.
32	8	P1100012	SCREW TC+ Ph d4,7x40 INOX A2	On req.
33	1	P1200020	SP. PART JOINT O.RING	On req.
34	1	P1200015	SP. PART JOINT O.RING	On req.
35	1	60143337	DIFFUSERS SUPPORT	On req.
36	1	P1210005	SP. PART V.RING	On req.
37	4	S3050009	SP. PART IMPELLER	On req.
38	4	60118335	&CLEARANCE RING DIVER PBT	On req.
39	4	P1200014	OR 105 X 1,5 NBR 70 M038	On req.
40	3	S3250077	SP. PART DIFFUSER	On req.
41	1	S3501479	PLUG	On req.
42	1	S3220006	SP. PART FILTER RING	On req.
43	1	P1120014	SP. PART WASHER	On req.
44	1	P1110009	SP. PART NUT	On req.
45	1	S3500742	SP. PART BASE	On req.
46	1	P1230006	SP. PART CAP D12	On req.
47	1	60116379	SPACER DIVER 4 IMP.	On req.
48	8	P1100017	SCREW TC+ Ph d4,7x65 INOX A2	On req.



Project

Project ID

Created by

Created on
2013-05-28

Last update